

Wine Master Cellars, LLLP • 10645 E 47th Ave, Denver, CO 80239 • phone: 866.650.1500 • fax: 866.650.1501 • VintageView.com

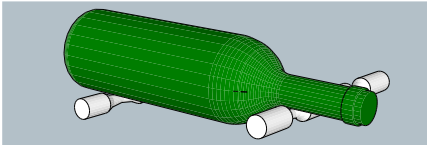
Vino Pins (VP-DWC & VP-X) Installation Instructions for Drywall Surfaces

Starter Kit Included Parts: • 1 Vino Pins Neck • 1 Vino Pins Base • 2 Vino Pins Collars • 2 Toggle Bolts • 1 Machine/Lag Stud • 2 Nuts
(Optional) Extension Kit Included Parts: • 1 Vino Pins Neck Extension • 2 Studs • 1 Vino Pins Base Extension

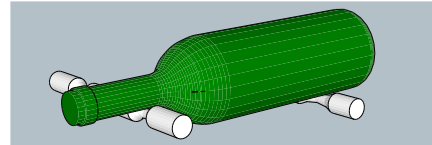
Required tools: •Level •2 Wrenches (7/16 inch) •Drill •5/8inch (15.9mm) drill bit •5/32 inch (4mm) drill bit

Critical Note: These installation instructions are for attaching Vino Pins only to drywall surfaces with a minimum thickness of 1/2 inches (12.7mm). If your wall surface does not meet this minimum requirement, please contact your VintageView supplier to obtain appropriate mounting hardware for your wall surface. Installing Vino Pins on wall surfaces that do not meet this minimum criteria may result in failure of the installation and serious damage or injury.

Before you begin, choose the direction the bottle necks should point



If the bottle necks are to point to the right, the base pin must be installed to the left of the neck pin.



If the bottle necks are to point to the left, the base pin must be installed to the right of the neck pin.

1. Mark the mounting hole locations - Reference Figure A below to verify appropriate minimum clearances around the Vino Pins in the desired installation area. Use a level to ensure the printed template is horizontal along the long edge and mark the hole locations by piercing the template with an awl or a screw at the center of the 2 marks corresponding with the bottle direction chosen earlier.

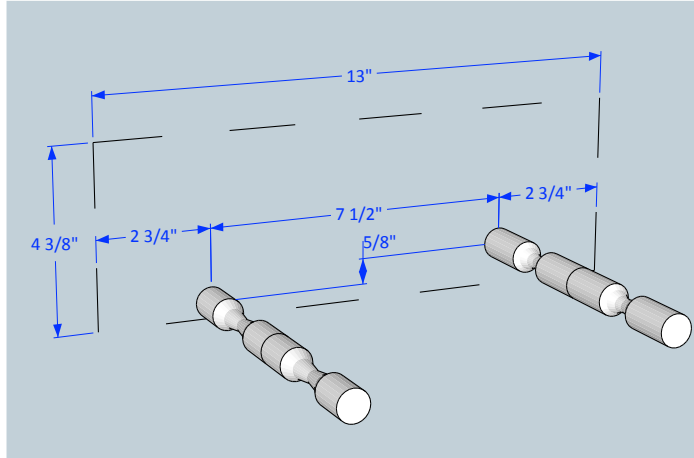


Figure A

2. Drill the anchor holes - Using the 5/32 inch (4mm) bit, drill pilot holes in your wall to see if your hole locations are over studs. If you do hit a stud, skip to **Wall Stud Mounting**. Otherwise, drill a 5/8 inch (15.9mm) hole for the Toggle Bolts at the pilot hole locations (Figure C).

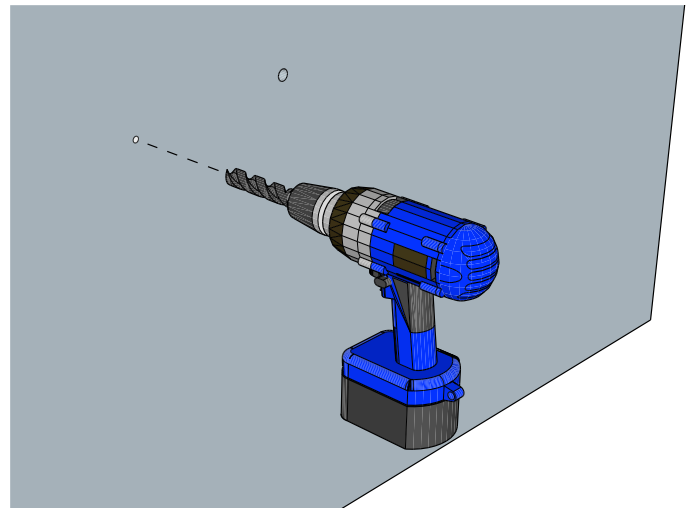


Figure C

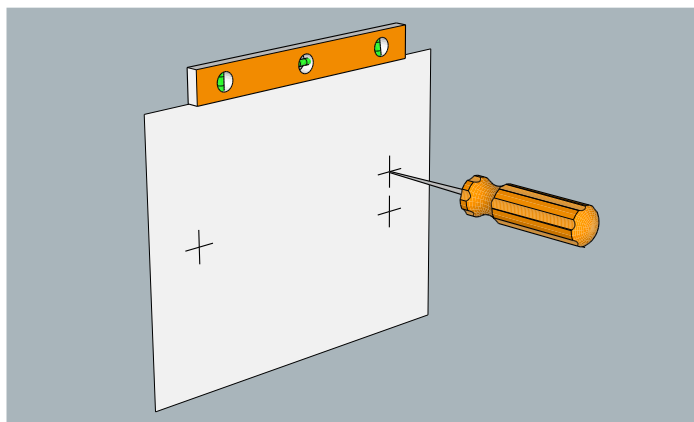


Figure B

3. Prepare the Toggle Bolts - Screw the expanding wing nut onto the bolt so that the wings fold away from the head of the bolt. Thread the nut all the way to the head of the bolt and then back it off about one full turn to make sure the wings of the nut can open and close without touching the bolt head (Figure D).

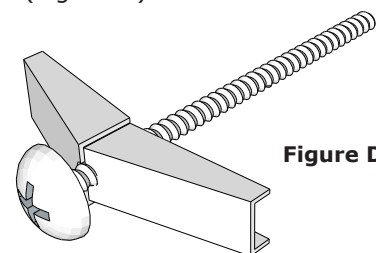


Figure D

4. **Assemble the Vino Pins** - If using Vino Pins extensions*, thread a stud into one end of the base extension pin and screw the starter base Pin onto the remaining exposed end and firmly hand tighten (Figure E). Connect any additional extensions in a similar fashion and repeat this process for the neck pins. Place the Vino Pins Collar over the toggle bolt with the open side facing the nut. Thread the assembled Vino Pins or the Vino Pins starter onto the toggle bolt. (Figure F).

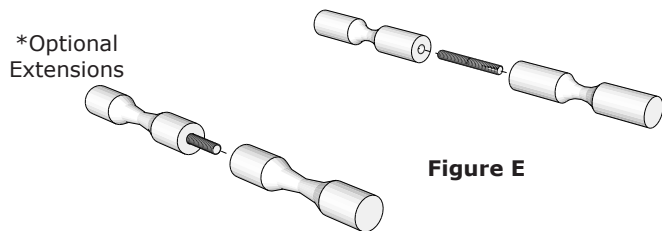


Figure E

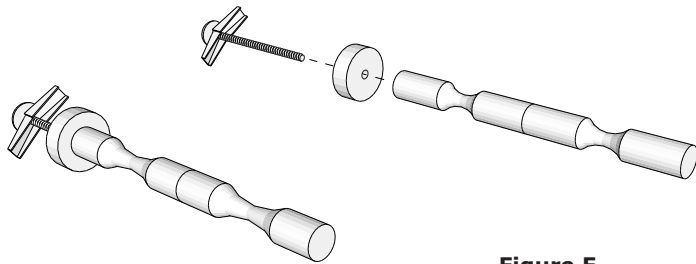


Figure F

***IMPORTANT NOTICE:** The Vino Pins are designed to accommodate a maximum of 3 bottles deep - 1 starter plus 2 extensions. Any application outside of these parameters is not warranted by VintageView and may result in product and/or installation failure, property damage and/or bodily injury.

5. **Install Pins** - Locate the lower of the 2 anchor holes in your wall and ensure that you have the base side Vino Pin assembly (the side with the longer curve in it) (Figure G). Push the head of the bolt through the drywall until the Vino Pins Collar is flush against the wall surface. Gently pull back on the Vino Pin to hold the wings of the expanding nut against the back side of the drywall and center the bolt in the anchor hole while turning the Vino Pin clockwise to firmly hand-tighten in place. Repeat the process for the neck pin in the higher anchor hole (Figure H).

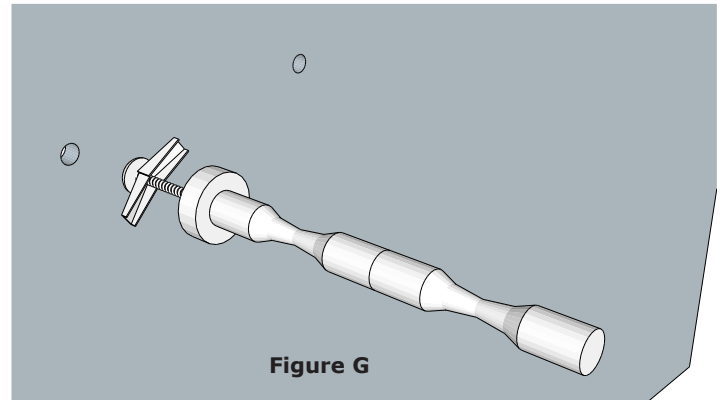


Figure G

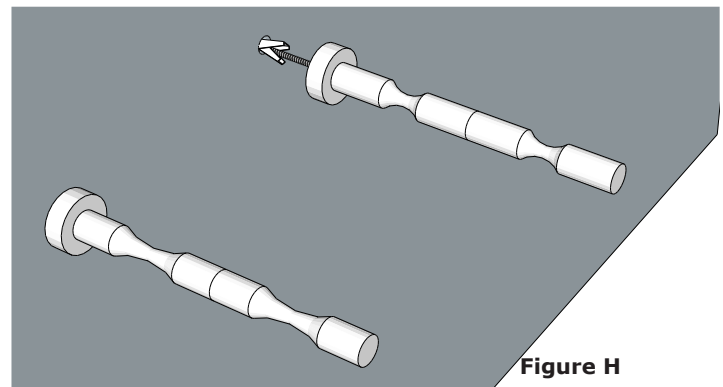


Figure H

Wall Stud Mounting

Install the Machine/Lag studs - Thread 2 nuts onto the fine threaded end of one Machine/Lag Studs and using two 7/16" wrenches, tighten the nuts against one another (Figure I). With the nuts tightend against each other, use one wrench on the outer nut and thread the lag end into the pilot hole in the wall. Screw the bolt into the wall until the coarse threads of the lag screw end are no longer visible, leaving just the finer threads exposed (Figure J). Again using 2 wrenches, loosen the nuts and remove them.

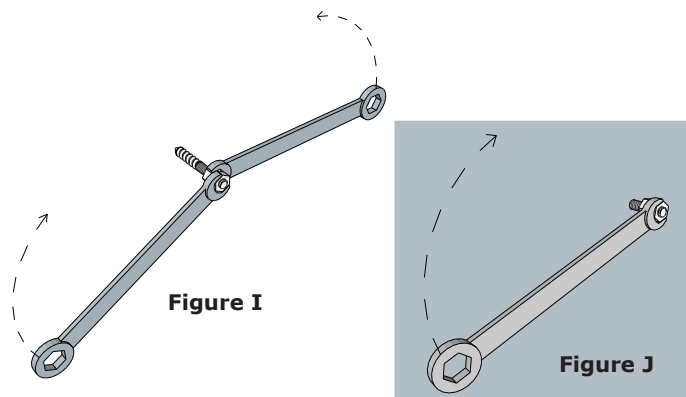


Figure I

Figure J

Assemble the Vino Pins and Install - Slide a collar over the stud protruding from the wall. If using Vino Pins extensions, refer to step 4 above. Thread the assembled Vino Pins or the Vino Pins starter onto the stud extending from the wall, ensuring that the base side is secured to the lower stud and the neck pin attaches to the higher stud and firmly hand tighten (Figure K). Return to step 3.

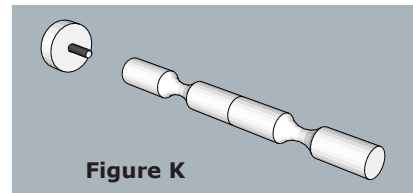


Figure K

Maintenance and Care - The Vino Pins should be regularly checked for tightness. Should any Vino Pin be found to be loose, tighten by hand until secure. If the face of the wall surface shows signs of breakage, discontinue use immediately until such time as the wall may be adequately repaired. Vino Pins may be cleaned with a damp cloth and mild detergent - abrasive cleaners, pads or steel wool should NOT be used as they may scratch the surface.